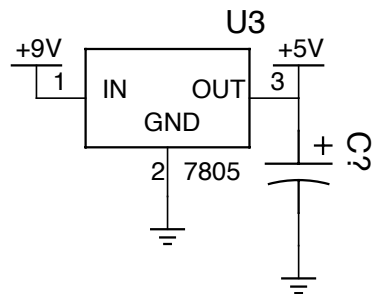
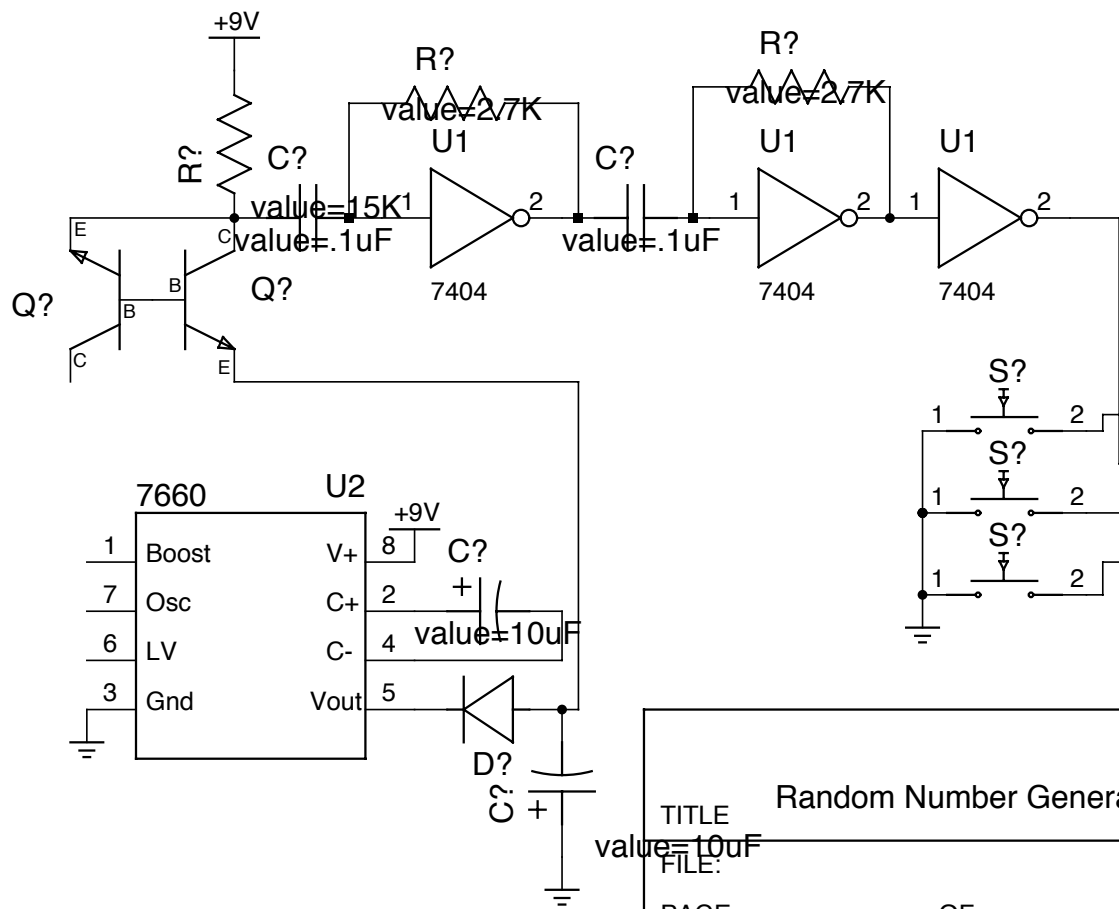
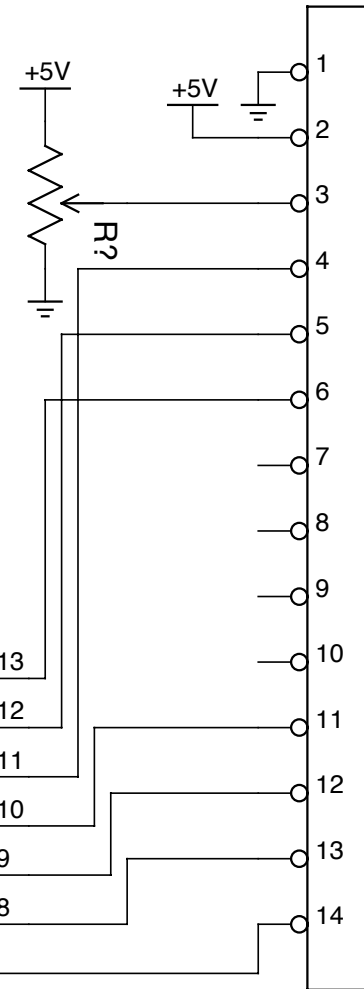


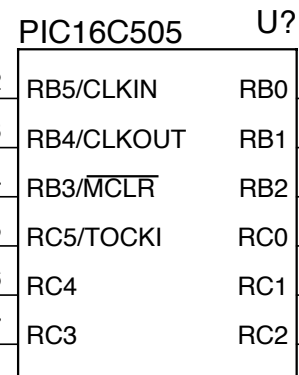
+5 supply for 7404 + PIC



Pins on LCD
CONN?



Really a PIC16F630



TITLE Random Number Generator

FILE:

PAGE

OF

REVISION: 2

DRAWN BY: Leon Maurer