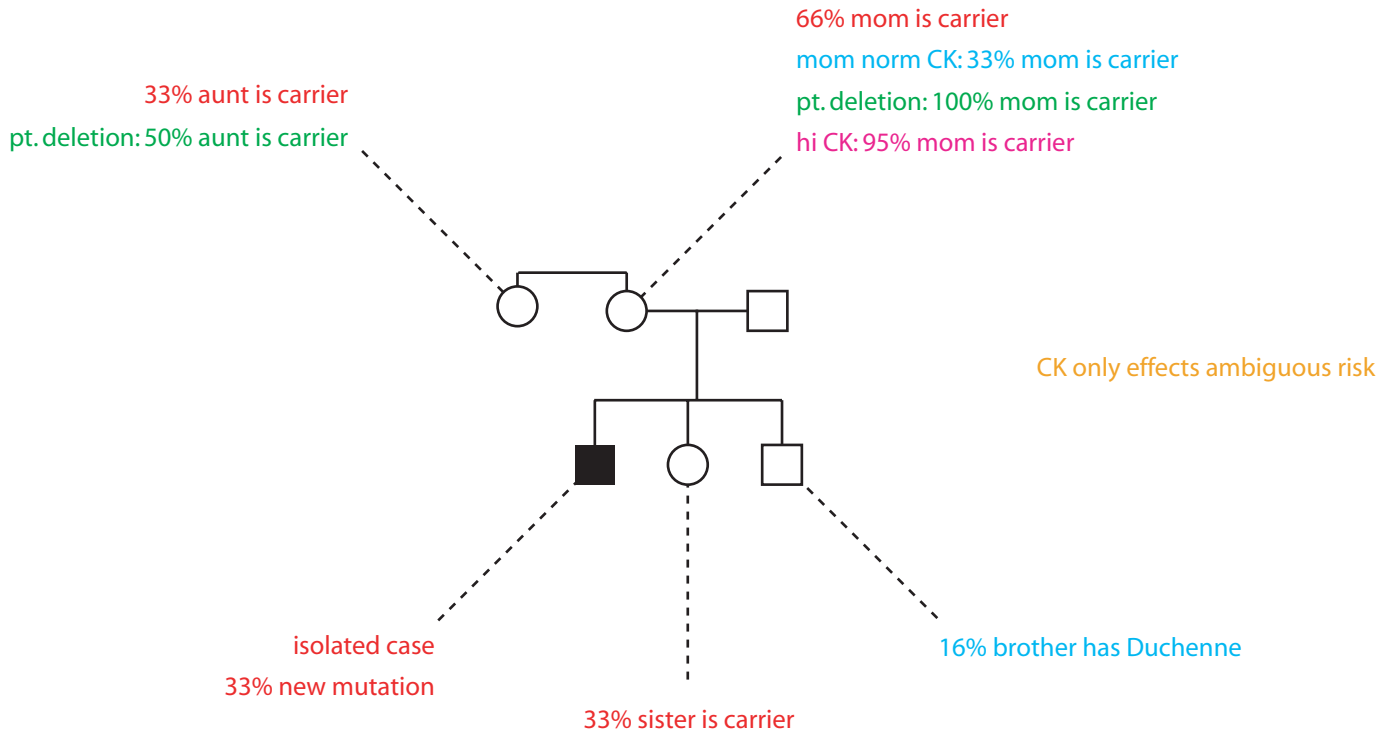


# RISK ASSESSMENT

## Duchenne Dystrophy: X-Linked Recessive

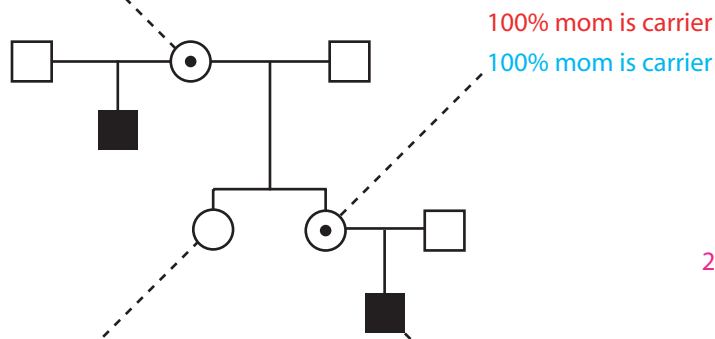


Isolated Case

Family History

INHERITANCE
Dominant
Recessive
Dominant-Negative
Haploinsufficiency
<hr style="border-top: 1px dashed black;"/>
Autosomal
X-linked

100% grandma is carrier



25% next child Duchenne

50% aunt is carrier  
hi CK: 85% aunt is carrier

Note: Each color refers to a single set of conditions